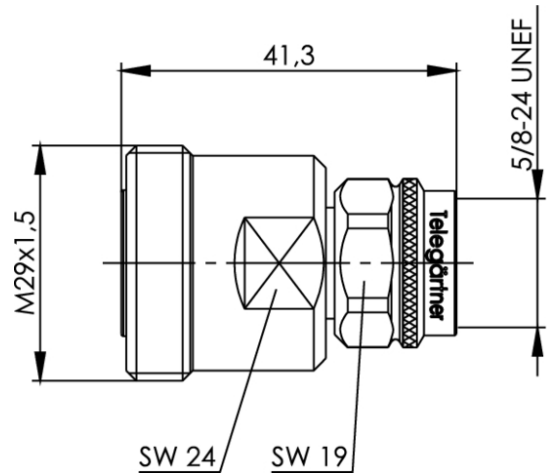


order number: J01122C0011

7/16 to N f-m



Technical Attributes	
Type	7-16 (f)/N (m)
Max. Frequency	7.5 GHz
Return Loss	40 dB/1 GHz; 38 dB/4 GHz; 30 dB/6 GHz
Life	min. 500
Z	Ω
Series	
Finish	
Mount. dim.	